

# Alam nyo ba...

na mayroong mas maigi at mas matalinong paraan upang mapanatiling mas malamig ang loob ng inyong tahanan?



# RoofMate

**Better insulation at the SAME PRICE!**

FIBERGLASS BLANKET INSULATION



**Widely used in the US & most western countries**

Conforms to International Building Standards

Made of glass fibers bonded with thermosetting resin into lightweight, soft and resilient insulation.

It has excellent insulation properties and acoustic resistance.

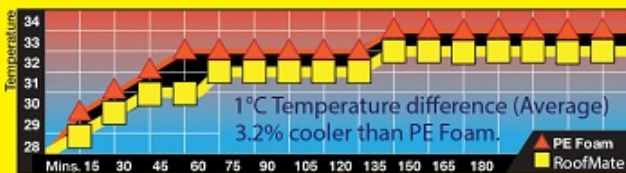
3.2% Cooler

Technical Data	
Dimension	1.20m x 20m / roll
Thickness	25 mm
Density	16 kg/m <sup>3</sup>
Foil	Single Foil
Total Coverage	24 sqm
R-Value	3.14 (2015 Great Day Improvements)



Superior Heat Resistance

**THERMAL INSULATION TESTING**  
RoofMate (25 mm) vs. PE FOAM (10 mm)



- RoofMate is **3.2%** cooler than 10mm PE foam insulation based on conducted thermal tests.
- There's a **5.4%** total space conditioning cost savings for every 1°C difference in temperature.  
The U.S. Department of Energy (2011)

Highly Durable Material



**Hindi Nalulusaw**



PE Foam deteriorates after 1 year



RoofMate still intact

RoofMate does not disintegrate after years of usage providing consistent insulating performance.



Non-Combustible

**Hindi Nasusunog / Hindi Lumiliyab**

Made of non-combustible fiberglass wool.



Dripping observed in burning PE Foam contributes to spread of fire

Fiberglass Wool Insulation retards fire



Sound Proof

**Bawas Kalansing!**

RoofMate can significantly reduce heavy rain downpour noise hitting the roof even during tropical storms.



Health Safe\*

**Non-Cancerous**

Reclassified by the International Agency for Research on Cancer (IARC) on October 2001 as **'Not Classifiable as to carcinogenicity to humans'** (Group 3).

\*For more information on safe handling instructions, read more...



Scan me

[www.colorsteel.com.ph](http://www.colorsteel.com.ph)

QUALITY STANDARDS  
AY TAMA SIGURADONG  
WALANG DAYA!

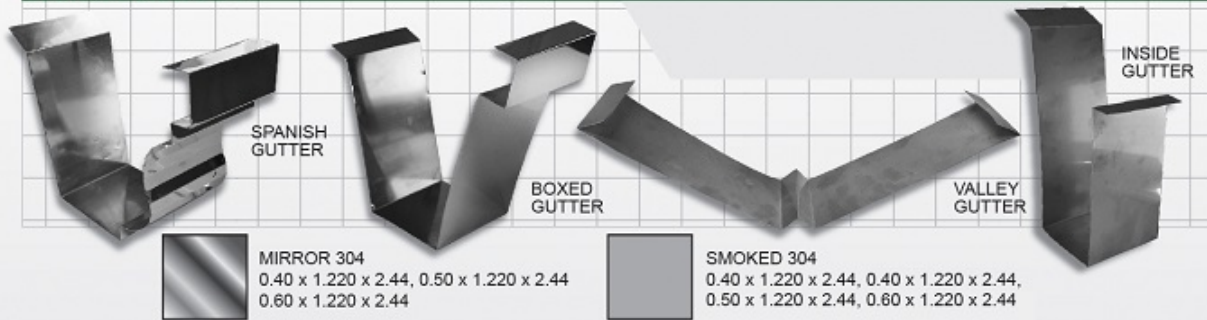


\*Colorsteel Systems Corporation reserves the right to change product specification without prior notice due to continuous product development.



# HARDWARES & ALLIED MATERIALS

## STAINLESS GUTTER



SPANISH GUTTER

BOXED GUTTER

VALLEY GUTTER

INSIDE GUTTER

MIRROR 304

0.40 x 1.220 x 2.44, 0.50 x 1.220 x 2.44  
0.60 x 1.220 x 2.44

SMOKED 304

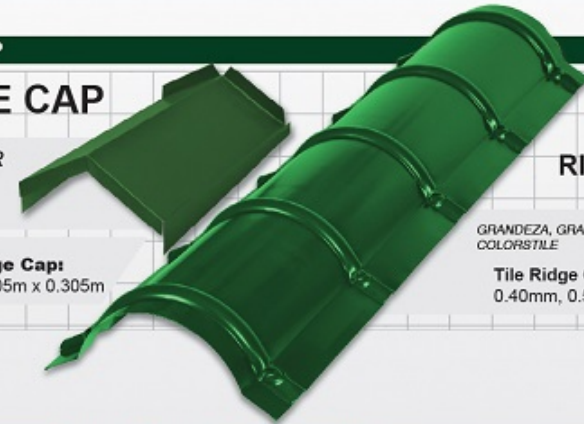
0.40 x 1.220 x 2.44, 0.40 x 1.220 x 2.44,  
0.50 x 1.220 x 2.44, 0.60 x 1.220 x 2.44

## RIDGE CAP

### RIDGE CAP

for  
Molave LSR  
Terrazes

Molave Ridge Cap:  
0.45mm x 0.305m x 0.305m



### TILE RIDGE CAP

GRANDEZA, GRANDEUR & CLASSIC,  
COLORSTYLE

Tile Ridge Cap Thickness:  
0.40mm, 0.50mm, 0.60mm



## DOWNSPOUT STRAINER



2" (Stainless)

2" & 3"  
Stainless  
Downspout  
Strainer

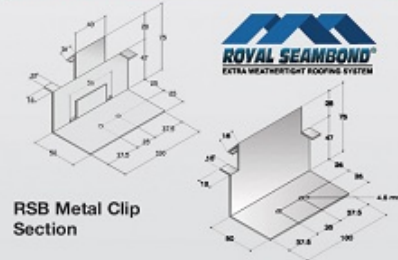
3"  
(Stainless)

## METAL BRACKET



Length : 60.5 cm  
Height : 10 cm  
Thickness : 2.38 mm

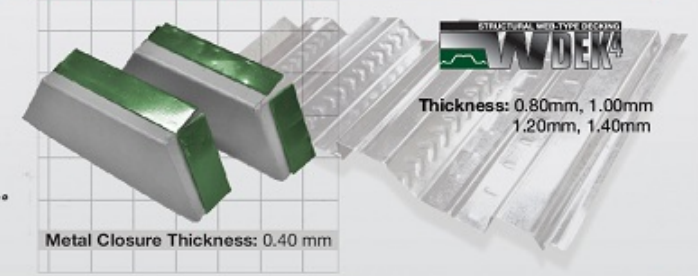
## METAL CLIP



RSB Metal Clip  
Section



## DECKING ACCESSORIES



Thickness: 0.80mm, 1.00mm  
1.20mm, 1.40mm

Metal Closure Thickness: 0.40 mm

## FASTENERS (TEKSCREW, NAILS, RIVETS)



WOOD	TRUSSHEAD
12 x 100, 12 x 80	8 x 25, 8 x 50
12 x 65, 12 x 50	BLIND RIVETS
STEEL	5/32 x 3/8
12 x 100, 12 x 75,	5/32 x 1/2
12 x 65, 12 x 55,	TYPE - S
12 x 45, 12 x 35,	10 x 16
12 x 25	CONCRETE NAIL
WAFERTEX	1", 1 1/2,"
10 x 16	2", 3", 4"
METAL SCREW	COMMON NAIL
#8 x 3/4 ( w/ tox )	1", 2", 3"

## TOUCH-UP PAINT



### Colorsteel Colors



CS BEIGE, CS BLUE, CS BROWN,  
CS GREEN, CS RED, CS GRAY  
CS WHITE, TERRACOTA,  
MATTE GRAY, WILSON RED,  
MATTE BROWN, MINT GREEN,  
(Actual Color may vary from picture)

## OTHER HARDWARE



- ALUMINUM DUCT TAPE 3"
- SILICON SEALANT 600ml (PU PIONEER),
- RUGBY GALLON,
- RUGBY BOTTLE,
- WELDING ROD,
- G.I. WIRE # 16,
- CUTTING DISC 4"
- Wire Mesh 30 yards (1' x 48' x 90')

Scan me



ROLLFORMING PLANTS  
• CAVITE  
• BACOLOD  
• DAVAO  
• ILOILO  
• PAMPANGA  
• LA UNION  
• CAGAYAN DE ORO

SALES BRANCHES

AGUSAN • ANTIQUE • BACOLOD • BAGUIO •  
BATANGAS • BOHOL • BULACAN • CABANATUAN •  
CAGAYAN • CAGAYAN DE ORO • CALASIAO • CAVITE •  
DAVAO • GENSAN • ILOILO • ISABELA • LAOAG •  
LA UNION • LAGUNA • LUCENA • NCR •  
NUEVA VIZCAYA • PAMPANGA • RIZAL •  
ROXAS • TARLAC • VIGAN • URDANETA • ZAMBALES

www.colorsteel.com.ph

0932.555.0000

1.800.10.555.0000 (TOLL FREE)

